

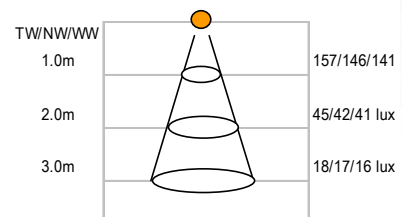


LT8T - W010 / LT8T - T010 LT8T - W020 / LT8T - T020

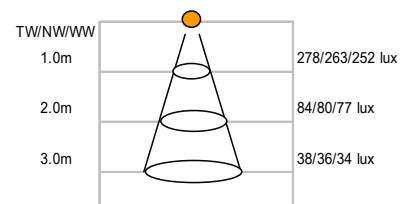


600mm, 1200mm LED Fluorescent Tube

- High Luminous Efficacy, saving over 50% power, the efficacy of 10W 20W LED light tube is equivalent to traditional T8 20W 40W Fluorescents
- High Lighting Quality: No UV and radiation, a typical green lighting source
- High durability: No fragile parts such as tungsten wire and glass shell
- Environment-friendly: Recyclable, no radiation, no pollutions of mercury and lead
- Quick Response Time: Plug and play, no flicker, no noise, suitable for places that demand frequent switch-on and switch-off
- Cost Saving: No starter and transformer needed
- Safety: Plastic shell, no risk of breakage and explosion
- Low Temperature : Low Shell temperature, about 50°C , free from ignition, helping to reduce the indoor temperature



600 mm



1200 mm

SPECIFICATION

High reliability and long lifespan

APPLICATION

Residence, factory, office, bank, hospital, shopping mall, MRT station , school, basement, and so on... (Places demand energy-saving and high CRI)

ADVANTAGES OF PRODUCT CONSTRUCTION

- Applying inner heat dissipation structure, avoiding glare phenomenon, eye-protected
- Light source adopting SMD Led, increasing the efficiency of heat dissipation, lengthen LED lifespan
- Adopting Aluminum base and heatsink for thermal conduction, solving the thermal issue and serious light decline problems

Part No.	LT8T-W10/LT8T-T020	LT8T-W10/LT8T-T020
Color	TW	TW
Operating Voltage	100-240VAC	100-240VAC
Power Consumption	10W 20W	10W 20W
Frequency Range	50, 60HZ	50, 60HZ
Power Efficiency	>90%	>90%
CCT	6,000K~7,500K	3,500K~5,000K
CRT	>75	>75
Operating Temperature	10° ~55°	10° ~55°
Storage Temperature	20° ~60°	20° ~60°
Angle	120°	120°

LED vs Traditional Lighting

	Traditional T8	Traditional T5	LED
Power Consumption (piece)	20 W	14 W	10 W
Power Consumption (set)	80 W	56 W	40 W
Lumen	650 - 700 Lux	650 - 700 Lux	600 - 650 Lux
Power Consumption (per year)	80*15*365/1000 = 438 KW/H	56*15*365/1000 = 307 KW/H	40*15*365/1000 = 219 KW/H
Life Span	10,000 house (1.8 years)	20,000 house (3.6 years)	50,000 house (9.1 years)
Percentage (compared to LED)	50%	29%	
C02 (per year) (1KW/H=0.623 kg C02) (compared to LED)	219* 0.623 = 136 kg C02	88* 0.623 = 85 kg C02	

- 600mm LED Fluorescent Tube can replace traditional 20W (T8) Fluorescent Tube, saving 10W electricity
- Ex: based on 24 hours a day, 365 days a year, working hours are 8760 hours in total a year. Traditional lighting fixture consumes 175 kw/h while LED lighting fixture consumes 87 kw/h, 88kw/h electricity will be saved after replaced (175-87=88)
- Compared with traditional 20W (T8) Fluorescent Tube , the LED lighting fixtures can reduce the change frequency about 8-10 times.
- The indoor temperature decreases 2-3 kw/h after using LED lighting fixtures.

Made in Taiwan





Down Light

LSDL - W015

LSDL - T015

LSDL - W006

KSDK - T006



PRDUCT FEATURES

- ✚ Suitable for AC input , no extra power needed.
- ✚ No thermal radiation, no UV or IR.
- ✚ High efficiency and high intensity output.
- ✚ Built-in fuse design for over heat and over current protection.
- ✚ High reliability and long lifespan.

Down Light



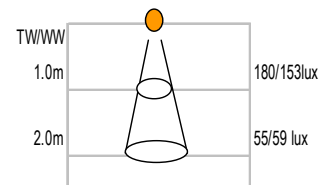
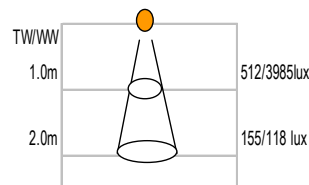
6"Down Line 15W



2.5"Down Line 6.5W

APPLICATION

Retail market, hotel lobby, porch, entertainment place... and all relevant light source applications.



SPECIFICATION

Part No.	LSDL-T015	LSDL-W015	LSDL-T006	LSDL-W006
Dimension	6"	6"	2.5"	2.5"
Color	TW	WW	TW	WW
Power Consumption	15W	15W	6.5W	6.5W
Operating Voltage	AC100-240V	AC100-240V	AC100-240V	AC100-240V
CCT	5,000K~6,300K	2,670K~3,500K	5,000K~6,300K	2,670K~3,500K
Lum	900	700	300	200
CRT	70%	70%	70%	70%
Angle	160°	160°	160°	160°
Operating Temperature	0~ +50 °C	0~ +50 °C	0~ +50 °C	0~ +50 °C
Storage Temperature	-20~ +60 °C	-20~ +60 °C	-20~ +60 °C	-20~ +60 °C

1. LSDL-T015 / LSDL-W015, LSDL-T006 / LSDL-W006 can replace traditional 50W halogen lamps, saving 43.5W electricity.
2. Ex: based on 24 hours a day, 365 days a year, working hours are 8760 hours in total a year.
Traditional lighting fixture consumes 438 degrees while LED lighting fixture consumes 57 kw/h, degrees, 381 degrees of electricity will be saved after replaced. (438-57=381)
3. Compared with traditional halogen lamp, the LED lighting fixtures can reduce the change frequency about 8-10 times.
4. The indoor temperature decreases 2-3 degrees after using LED lighting fixtures.

Made in Taiwan





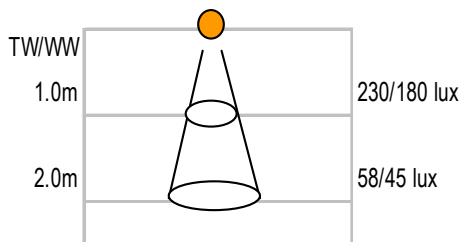
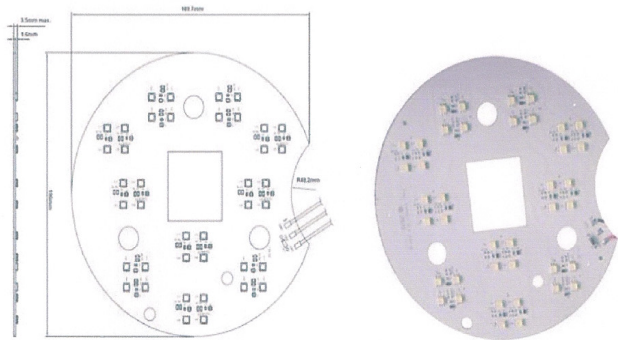
LDOW - T013 LDOW - W013

- ✚ High intensity LED is utilized.
- ✚ No thermal radiation, no UV or IR.
- ✚ High reliability and long lifespan.
- ✚ High efficiency and high intensity output.
- ✚ Suitable for AC input, no extra power needed.



APPLICATION

Retail market, living room, porch, kitchen, bathroom... and all relevant light source application.



SPECIFICATION

Part No.	LDOW-T013	LDOW-W013
Color	T	W
Power Consumption	13W	13W
Operating Consumption	AC100-240V	AC100-240V
CCT	6,000K	3,000K
Lum	780	600
Angle	120°	120°
Operating Temperature	0° ~50°	0° ~50°
Storage Temperature	-20° ~60°C	-20° ~60°C

1. LDOW can replace traditional T8 tube, saving 19W electricity.
2. Ex: based on 24 hours a day, 365 days a year, working hours are 8760 hours in total a year.
Traditional lighting fixture consumes 280 degrees while LED lighting fixture consumes 114 degrees, 166 degrees of electricity will be saved after replaced. (280-114=166)
3. Compared with traditional 8T Tube, the LED lighting fixtures can reduce the change frequency about 8-10 times.
4. The indoor temperature decreases 2-3 degrees after using LED lighting fixtures.

Made in Taiwan



BULB

LBUL - W008

LBUL - T008



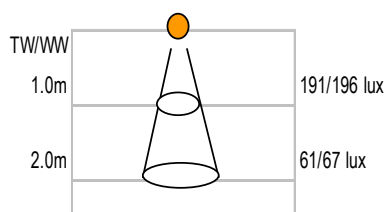
PRDUCT FEATURES

- ✚ Patented aluminum pressing fin structure and special plastic optical lens.
- ✚ Compatible with E27 standard lampholder.
- ✚ Suitable for AC from 90 to 240 V
- ✚ High luminous efficiency than traditional incandescent or energy-Saving lamp.
- ✚ Cool beam(no thermal radiation, no UV or IR).
- ✚ High reliability and long lifespan.

APPLICATION

Retail market, hotel lobby, porch, entertainment place.....and all relevant light source applications.

SPECIFICATION



Part No.	LBUL-T008	LBUL-W008
Color	TW	WW
Power Consumption	8W	8W
Operating Voltage	AC90-240V	AC90-240V
LED Power Driver	500mA	500mA
CCT	5,500~6,500K	3,000K~ 3,500K
Lum	480	450
Angle	120°	120°
CRT	75%	75%
Operating Temperature	-20 ~+40 °C	-20 ° ~+40 °C
Storage Temperature	-40 ~+85 °C	40 ~+85 °C
Weight	125 ± 1g	125 ± 1g

1. LBUL-W080 / LBUL-T008 can replace 23W energy-saving lamps, saving 15W electricity.
2. Ex: based on 24 hours a day, 365 days a year, working hours are 8760 hours in total a year. Traditional lighting fixture consumes 202 degrees while LED lighting fixture consumes 70 degrees, 132 degrees of electricity will be saved after replaced. (202-70=132)
3. Compared with energy-saving lamp, the LED lighting fixtures can reduce the change frequency about 8-10 times.
4. The indoor temperature decreases 2-3 degrees after using LED lighting fixtures.

Made in Taiwan

AR111

LAR1 - W015

LAR1 - T015

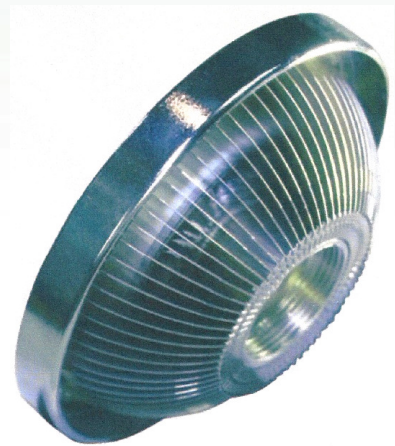
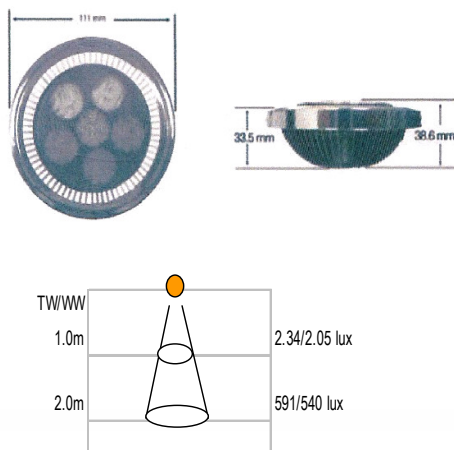
PRDUCT FEATURES

- ✚ Compatible with traditional AR111 lighting fixture, easy to replace.
- ✚ Suitable for AC from 90 to 240 V
- ✚ High efficiency and high intensity output.
- ✚ Built-in fuse design for over heat and over current protection.
- ✚ High reliability and long lifespan.

APPLICATION

Retail market, hotel lobby, porch, entertainment place.....and all relevant light source applications.

MECHANICAL DESIGN



AR111



SPECIFICATION

Part No.	LAR1-T015	LAR1-W015
Color	TW	WW
Power Consumption	15W	15W
Operating Voltage	AC90-240V	AC90-240V
LED Power Driver	600mA	600mA
CCT	5,650~7,000K	3,050K~ 3,500K
Lum	700	600
Angle	25°, 40°, 60°	25°, 40°, 60°
CRT	70%	75%
Operating Temperature	-20 ~+45 °C	-20 ~+45 °C
Storage Temperature	-40 ~+60 °C	-40 ~+60 °C

1. LAR1-W015 / LAR1-T015 can replace traditional 50W AR111, saving 35W electricity.
2. Ex: based on 24 hours a day, 365 days a year, working hours are 8760 hours in total a year. traditional lighting fixture consumes 307 degrees while LED lighting fixture consumes 131 degrees, 307 degrees of electricity will be saved after replaced. (438-131=307)
3. Compared with traditional AR111, the LED lighting fixtures can reduce the change frequency about 8-10 times.
4. The indoor temperature decreases 2-3 degrees after using LED lighting fixtures.



GU10 / E27

LGU1 - W005

LGU1 - T005

LE27 - W005

LE27 - T005

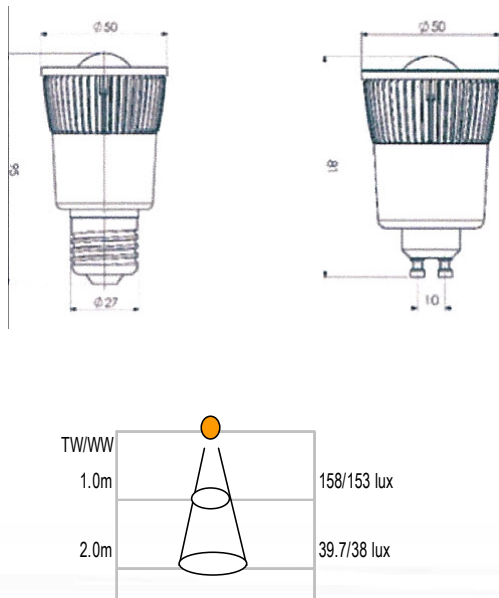


UG10

E27

- ✚ Compatible with E27 and GU10 standard lampholder, easy to replace.
- ✚ Suitable for AC from 90 to 240 V
- ✚ With reverse polarity protection.
- ✚ Built-in fuse design for over heat and over current protection.
- ✚ High reliability and long lifespan.

MECHANICAL DESIGN



APPLICATION

Retail market, hotel lobby, porch, entertainment place.....and all relevant light source applications.

SPECIFICATION

Part No.	LT8T-W10/LT8T-T020	LT8T-W10/LT8T-T020
Color	TW	WW
Power Consumption	5W	5W
Operating Voltage	AC90-240V	AC90-240V
LED Power Driver	600mA	600mA
CCT	5,000~5,650K	2,850K~ 3,050K
Lum	260	230
Angle	60°	60°
CRT	70%	70%
Operating Temperature	-20 ~+45 °C	-20 ~+45 °C
Storage Temperature	-40 ~+60 °C	-40 ~+60 °C

1. LE27-W005 / LE27-T005 / LGU1-W005 / LGU1-T005 can replace traditional 50W halogen lamps, saving 45W electricity.
2. Ex: based on 24 hours a day, 365 days a year, working hours are 8760 hours in total a year. traditional lighting fixture consumes 438 degrees while LED lighting fixture consumes 43 degrees, 395 degrees of electricity will be saved after replaced. (438-43=395)
3. Compared with traditional halogen lamp, the LED lighting fixtures can reduce the change frequency about 8-10 times.
4. The indoor temperature decreases 2-3 degrees after using LED lighting fixtures.



MR16

LMR1 – W005

LMR1 – T005

- ✚ Compatible with GX5.3 standard lampholder
- ✚ Low voltage, suitable for LED specific constant voltage (DC 12V) transformer
- ✚ With reverse polarity protection.
- ✚ Built-in fuse design for over heat and over current protection.
- ✚ High reliability and long lifespan.

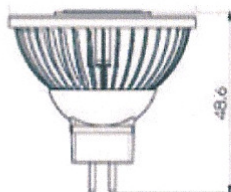
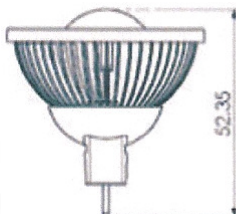
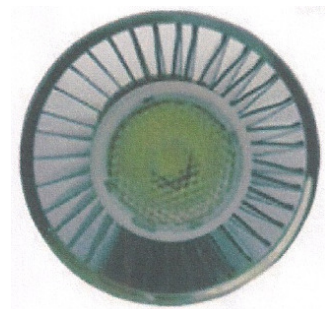
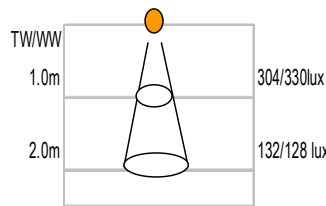
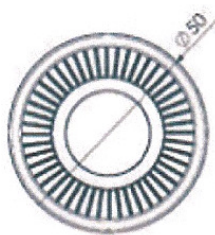


MR-16

APPLICATION

Retail market, hotel lobby, porch, entertainment place and all relevant light source applications.

MECHANICAL DESIGN



SPECIFICATION

Part No.	LMR1-T005	LMR1-W005
Color	TW	WW
Power Consumption	5W	5W
Operating Voltage	12V DC	12V DC
LED Power Driver	600mA	600mA
CCT	5,000~5,650K	2,850K~ 3,050K
Lum	260	230
Angle	15°, 40°, 60°	15°, 40°, 60°
CRT	70%	70%
Operating Temperature	-20 ~+45 °C	-20 ~+45 °C
Storage Temperature	-40 ~+60 °C	-40 ~+60 °C
Weight	22 ± 1g	22 ± 1g

1. LMR1-W005 / LMR1-T005 can replace 35W halogen lamps, saving 30W electricity.
2. Ex: based on 24 hours a day, 365 days a year, working hours are 8760 hours in total a year.
3. Traditional lighting fixture consumes 307 degrees while LED lighting fixture consumes 43 degrees, 264 degrees of electricity will be saved after replaced. (307-43=264)
4. Compared with traditional halogen lamp, the LED lighting fixtures can reduce the change frequency about 8-10 times.
5. The indoor temperature decreases 2-3 degrees after using LED lighting fixtures.

Made in Taiwan



PAR 38

LP38 – W015

LP38 – T015

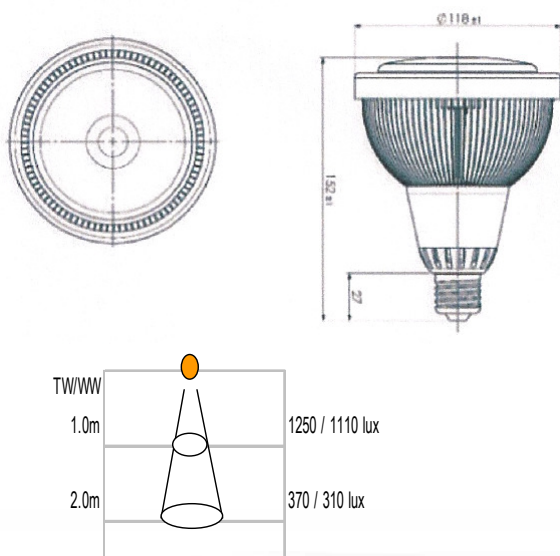
PRDUCT FEATURES

- ✚ Compatible with E27 standard lampholder,easy to replace.
- ✚ Suitable for AC from 90 to 240 V.
- ✚ High efficiency and high Intensity output.
- ✚ Built-in fuse design for over heat and over current protection.
- ✚ High reliability and long lifespan.

APPLICATION

Retail market, hotel lobby, porch, entertainment place..... and all relevant light source applications.

MECHANICAL DESIGN



PAR38



SPECIFICATION

Part No.	LP38-T015	LP38-W015
Color	TW	WW
Power Consumption	15W	15W
Operating Voltage	AC90~240V	AC90~240V
LED Power Driver	400mA	400mA
CCT	5,650~7,000K	3,050K~ 3,500K
Lum	750	520
Angle	25°, 60°, 60°(84chips)	25°, 60°, 60°(84chips)
CRT	70%	75%
Operating Temperature	-20 ~+45 °C	-20 ~+45 °C
Storage Temperature	-40 ~+60 °C	-40 ~+60 °C
Weight	370 ± 5g	370 ± 5g

1. LP38-W015 / LP38 – T015 can replace traditional 70W PAR38, saving 55W electricity.
2. Ex: based on 24 hours a day, 365 days a year, working hours are 8760 hours in total a year. traditional lighting fixture consumes 613 degrees while LED lighting fixture consumes 131 degrees, 482 degrees of electricity will be saved after replaced. (613-131=482)
3. Compared with traditional halogen lamp, the LED lighting fixtures can reduce the change frequency about 8-10 times.
4. The indoor temperature decreases 2-3 degrees after using LED lighting fixtures.

PAR 30

LP30 – W010

LP30 – T010

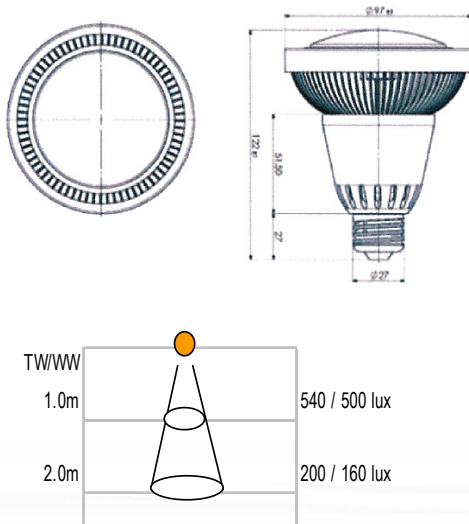
PRDUCT FEATURES

- ✚ Compatible with E27 standard lampholder, easy to replace.
- ✚ Suitable for AC from 90 to 240 V.
- ✚ High efficiency and high Intensity output.
- ✚ Built-in fuse design for over heat and over current protection.
- ✚ High reliability and long lifespan.

APPLICATION

Retail market, hotel lobby, porch, entertainment place..... and all relevant light source applications.

MECHANICAL DESIGN



SPECIFICATION

Part No.	LP30-T010	LP30-W010
Color	TW	WW
Power Consumption	10W	10W
Operating Voltage	AC90~240V	AC90~240V
LED Power Driver	400mA	400mA
CCT	5,650~7,000K	3,050K~ 3,500K
Lum	500	370
Angle	8° : 25° : 40° : 60° : 130°	8° : 25° : 40° : 60° : 130°
CRT	70%	75%
Operating Temperature	-20 ~+45 °C	-20 ~+45 °C
Storage Temperature	-40 ~+80 °C	-40 ~+80 °C
Weight	170 ± 5g	170 ± 5g

1. LP30-W010 / LP30-T010 can replace traditional 50W PAR30, saving 40W electricity.
2. Ex: based on 24 hours a day, 365 days a year, working hours are 8760 hours in total a year. traditional lighting fixture consumes 438 degrees while LED lighting fixture consumes 87 degrees, 351 degrees of electricity will be saved after replaced. (438-87=351)
3. Compared with traditional halogen lamp, the LED lighting fixtures can reduce the change frequency about 8-10 times.
4. The indoor temperature decreases 2-3 degrees after using LED lighting fixtures.



PAR30



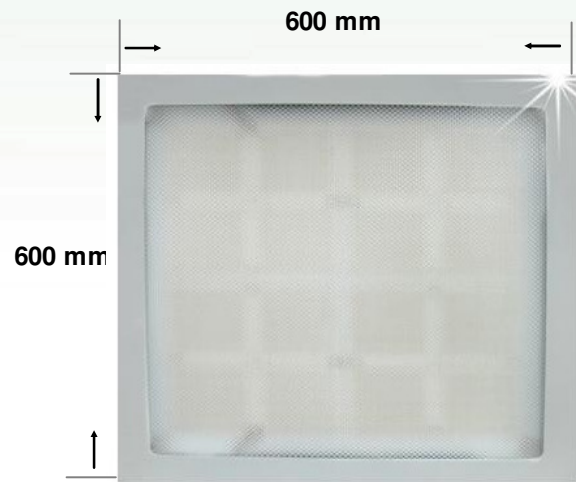
T - BAR

LTBA - W042

LTBA - T042

PRDUCT FEATURES

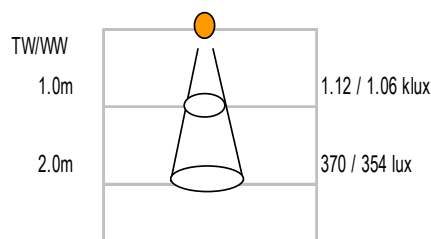
- ✚ Flicker-free, lower EMI.
- ✚ Mercury-free, no UV or IR.
- ✚ High intensity LED is utilized.
- ✚ Energy-saving / high efficiency, easy to install, can replace traditional T-Bar
- ✚ Suitable for AC input, no extra power needed.



T-BAR

APPLICATION

Retail market, hotel lobby, porch, entertainment place..... and all relevant light source applications.



SPECIFICATION

Part No.	LTBA-T042	LTBA-W042
Color	TW	WW
Power Consumption	42W	42W
Operating Voltage	AC100~240V	AC100~240V
CCT	5,000~5,650K	2,850K~ 3,050K
Lum	2400	2000
Angle	120°	120°
Operating Temperature	0 ~ 50 °	0 ~ 50 °
Storage Temperature	-20 ~ 60 °C	-20 ~ 60 °C

1. LTBA can replace 80W T-Bar, saving 38W electricity.
2. Ex: based on 24 hours a day, 365 days a year, working hours are 8760 hours in total a year. traditional lighting fixture consumes 700degrees while LED lighting fixture consumes 368 degrees, 332 degrees of electricity will be saved after replaced. (700-368=332)
3. Compared with traditional halogen lamp, the LED lighting fixtures can reduce the change frequency about 8-10 times.
4. The indoor temperature decreases 2-3 degrees after using LED lighting fixtures.

Made in Taiwan





LSTR - T150

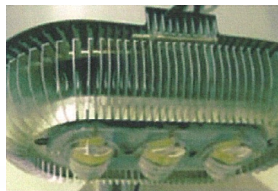
Street Lamp Landscape Lamp
Spot Light Tunnel Lamp

PRDUCT FEATURES

- ✚ Unique, elegant, and modern outline design.
- ✚ High heat dissipation parameter, low thermal resistance, stable luminous efficiency.
- ✚ Adopting integrated multi-layer heat dissipation design.
- ✚ Low operating temperature, long lifespan.
- ✚ Using high power LED lighting modules and efficient light spreading design makes the roads obtain even lightness.
- ✚ The light fixture can be customized, variable and compatible to various light housings including traditional ones.



Picture of the first road with LED street lamp In Taiwan

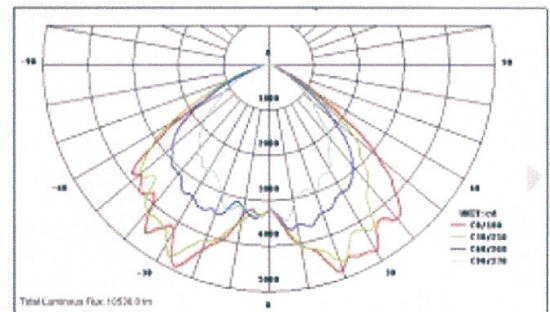


light engine

SPECIFICATIONS

Street Lamp Series	LSTR-
Operating Voltage	AC 90-240V
Power Factor	>0.92
Power Efficiency	>90%
Power Consumption	60W, 100W, 120W, 150W
Fixture Efficiency	77 lm / W
Weight	9.4 ±5%KG
IP Grade	IP65-IP67
CCT	3,000K-6,500K
CRI	>70
Operating Temperature	-30 ~ +45 °C
Storage Temperature	-40 ~ +45 °C
Operating Humidity	20%~90%RH
Storage Humidity	10%~95%RH
Surface Temperature	≤ 55°C

LIGHT PATTERN



Landscape Lamp



Tunnel Lamp



Spot Light

Made in Taiwan





LED PRICE LIST

Item	Part No.	Product	Picture	Watt	Angle	CCT	Price (US\$)	Remark
1	LREC-W LREC-T	Spot light		18	120°	WW3000~4500k TW5000~6300k	86	MOQ=100PCS
				35			204	
2	LLAN-W LLAN-T	Scenery light		35	120°	WW3000~4500k TW5000~6300k	321	MOQ=100PCS
3	LFLO-W LFLO-T	Tunnel light		60	120°	WW3000~4000k TW5500~6500k	535	MOQ=100PCS
				100			695	
				150			854	
4	LSTR-W LSTR-T	Street light		50	120°	WW3000~4500k TW5000~6500k	535	MOQ=100PCS
				80			695	
				100			802	
				120			854	
				150			961	
5	LMR-W LMR-T	MR16 4chips		5	15°	WW2700~3300k TW5500~6500k	15	Driver excluded MOQ=500PCS
					40°			
					60°			
6	LMR-PO	MR16 Driver					9	MOQ=500PCS
7	LE27-W LE27-T	E27 GU-10		6	60°	WW2700~3200k TW5000~6500k	22	MOQ=500PCS
8	LP30-W LP30-T	PAR30 6 leds		10	25°	WW3000~4500k TW5000~6500k	45	MOQ=200PCS
		PAR30 63 leds			10			
9	LP38-W LP38-T	PAR38 9 leds		10	25°	WW3000~4500k TW5000~6500k	69	MOQ=200PCS
		PAR38 84 leds			15			
10	LAR1-W012 LAR1-T012	AR111		12	25°	WW2700~4500k TW5000~6500k	38	Driver excluded MOQ=200PCS
					40°			
11	LAR1-PO	AR111 Driver					12	
12	LAR1-W015 LAR1-T015	AR111		15	25°	WW2700~4500k TW5000~6500k	45	Driver excluded MOQ=200PCS
					40°			
13	LBUL-W LBUL-T	LED Bulb		5	240°	WW2850~4500k TW5000~6500	18	MOQ=500PCS
				8			26	
14	LT8T-T	LED Fluorescent tube 60cm		10	240°	TW4500~8000k	35	MOQ=500PCS
		LED Fluorescent tube 120cm		20			59	
15	LTBA-T	Light steel frame		42	180°	TW6500~7500k	118	MOQ=100PCS
				42			129	
				Lens 60			143	
16	LDOW-W LDOW-T	LED Ceiling light		13	120°	WW3300~4000k TW7000~9000k	64	MOQ=150PCS
17	LSDL-W LSDL-T	2.5inches Down light		6.5	120°	WW3000~4000k TW7000~9000k	32	MOQ=500PCS
		6inches Down light		15			58	MOQ=200PCS
18		8inches Down light		25			78	MOQ=200PCS
19	LMTB-W LMTB-T0	Light steel frame		20	120°	WW3000~4000k TW7000~9000k	64	MOQ=200PCS

LED-LAMP



USE TECHNOLOGY SERVICE CO., LTD.